

**Wall mounted
Flat'line 120 cm
Black**

EAN 5414425213726



Energy label

▪ Energy Efficiency class (EEIhood)	A+
▪ Annual Energy Consumption (kWh/year) (AEChood)	33,7
▪ Fluid Dynamic Efficiency class (FDEhood)	A
▪ Lighting Efficiency class (LEhood)	A
▪ Grease Filtering Efficiency class (GFEhood)	D

Functions & features

▪ Control method	Push buttons
▪ Number of speeds	3 + power
▪ Automatic Power revert (minutes)	6
▪ Motor	Integrated
▪ Sound absorber	Integrated
▪ Recirculation	Optional
▪ InTouch function	Optional
▪ Auto stop	▪
▪ Delayed switch off (minutes)	10
▪ Number of grease filters	1
▪ Grease filter	7400020
▪ Grease filter cleaning indication	▪
▪ Recirculation filter cleaning indication	▪

Dimensions

▪ Product dimensions exhaust (WxDxHmin-Hmax) (mm)	1198 x 554 x 660 - 1050
▪ Product dimensions recirculation (WxDxHmin-Hmax) (mm)	1198 x 554 x 730 - 1120
▪ Max height optional chimney exhaust (mm)	1410
▪ Max height optional chimney recirculation (mm)	1480
▪ Advised mounting height induction hobs (Hmin-Hmax) (mm)	650 - 750
▪ Advised mounting height gas hobs (Hmin-Hmax) (mm)	650 - 750
▪ Advised mounting height ceramic hobs (Hmin-Hmax) (mm)	600 - 750
▪ Diameter outlet (mm)	150
▪ Position exhaust	Top

Lighting

▪ Functional lighting type	Led
▪ Dimmable light	▪
▪ Soft-ON/OFF	▪
▪ Total energy consumption functional light (W)	12

Airflow and noise level

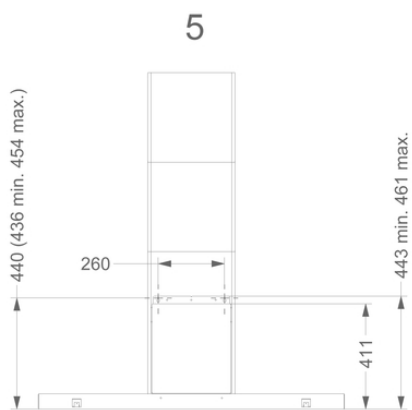
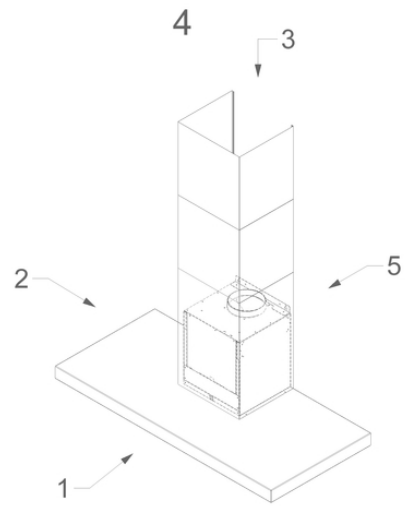
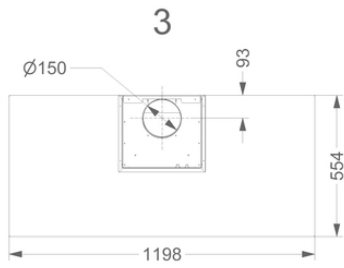
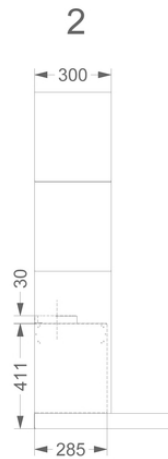
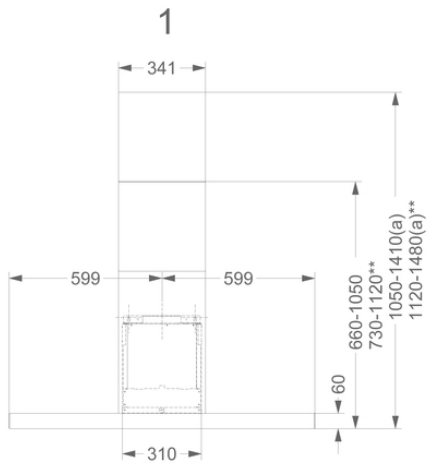
▪ Free airflow (m³/h)	815
▪ Airflow (m³/h) measured according to EN 61591	
▪ Sound regulation according to EN 60704-2-13	

Airflow and noise level

▪ Airflow speed 1 (m ³ /h) / Max Pressure speed 1 (Pa)	259 / 83
▪ Airflow speed 2 (m ³ /h) / Max Pressure speed 2 (Pa)	420 / 247
▪ Airflow speed 3 (m ³ /h) / Max Pressure speed 3 (Pa)	550 / 380
▪ Airflow Powerspeed (m ³ /h) / Max Pressure Powerspeed (Pa)	631 / 381
▪ Sound pressure speed 1 (dB(A)) / Sound power speed 1 (dB(A))	26 / 36
▪ Sound pressure speed 2 (dB(A)) / Sound power speed 2 (dB(A))	38 / 49
▪ Sound pressure speed 3 (dB(A)) / Sound power speed 3 (dB(A))	44 / 55
▪ Sound pressure Powerspeed (dB(A)) / Sound Powerspeed (dB(A))	48 / 59

Technical specifications

▪ Maximum power	117
▪ Voltage (V)	220-230
▪ Frequency (Hz)	50
▪ Length power supply cord (m)	1,3
▪ Power consumption in stand-by-mode (Ps) (W)	0.25
▪ Net weight (kg)	35,6



Installation accessories

Back panel & chimney extensions

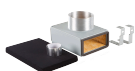
- 7602100 Chimney extension 90 cm
- 172200 Backsplash panel 120 cm black h 69 cm

Additional accessories

- 840029 Remote control

Accessories

Recirculation kit



7600400

Recirculation set Flat'line wall 90, 120 cm

Control kit



990030

Control kit for external lighting or valve

